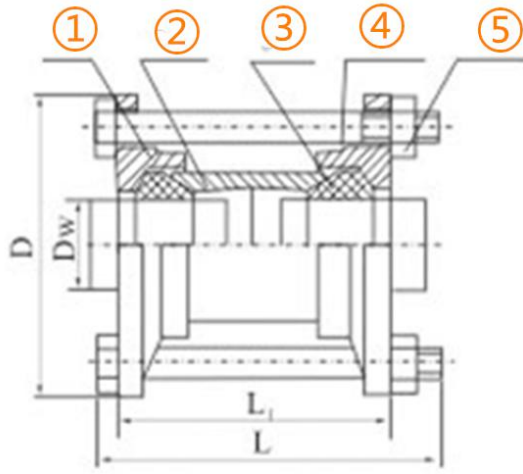


Flange Adaptor & Coupling

TECHNICAL PARAMETERS



NO.	Name	Material
1	Cover	Carbon steel SS304 SS316
2	Sleeve	Carbon steel SS304 SS316
3	Gasket	NBR EPDM
4	Bolt	Carbon steel SS304 SS316
5	Nut	Carbon steel SS304 SS316

Flange Adaptor & Coupling is used for quick connection between the two pipes, and allows the pipe at both ends to freely expand and contract in the casing stroke of the Flange Adaptor & Coupling. The gland type compensation joint is a variety of water supply and drainage pipes. The disassemble and assembly of water towers, water pumps, water meters and valves provides great convenience, and it plays a very good role in long-distance pipelines due to temperature difference expansion.


MAIN DATA:

Nominal Diameter DN	External diameter Dw	external dimension			N-Th			
		Length		D	0.25-1.6M Pa	2.5-6.4MPa a		
		L1	L					
65	76	180	208	155	4-M12	4-M12		
80	89			165				
100	108			195				
	114			195				
125	133			225				
125	140		225	4-M16				
150	159		220	220	255	4-M16	6-M16	
	168				255			
200	219				310			
225	245				335			
250	273	375			6-M20			8-M20
300	325	220	273	440	8-M20	10-M20		
	350			355			490	
377				490				
400	406			540			10-M20	12-M20
	426			540				
450	457		220	273	590	10-M20	12-M20	
	480				590			
500	508				645			
	530				645			
600	610				750			

Nominal Diameter DN	External diameter Dw	external dimension			N-Th				
		Length		D	0.25-1.6M Pa	2.5-6.4MPa a			
		L1	L						
600	630	290	273	750	10-M20	12-M20			
700	720			855			12-M20	14-M20	
800	820			355			970	12-M24	16-M24
	900							920	1070
1000				1020			1170		
1200	1220		1405	16-M24	20-M24				
1400	1420		377	377	1590	18-M24	28-M27		
1500	1520				1690				
1600	1620				1795			20-M27	28-M27
1800	1820				2000			22-M27	30-M30
2000	2020	2200			24-M27			32-M30	
2200	2220	400	400	2420	26-M30				
2400	2420			2635			28-M30		
2600	2620			400			2835	30-M30	
	2800							2820	3030
3000				3020			3240	34-M33	
3200	3220		3440	36-M33					
3400	3420		490	3640	38-M33				
	3600				3620	3860	40-M33		
3800			3820	4080	40-M36				
4000	4020		500	4300	42-M36				

Notes: 1. The size meets standard GB/T12465-2007

2. Flange Standard : Flange is available with ANSI / JIS/ BS/ GB/ GOST Standard and so on.

 <p>河南顺赢新能源有限公司 Henan Shunying New Energy Co., Ltd.</p>	Proposal/Inquiry/Order No:	NOTES:
	Customer Name:	
	Project Name:	
	Contractor:	