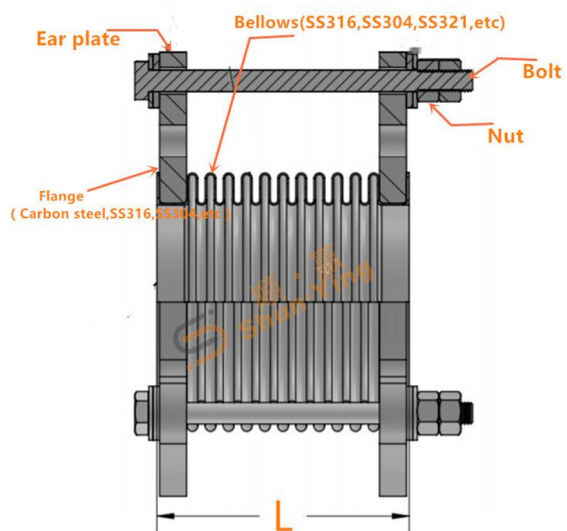


PTFE Metal Bellows Expansion Joints



Technical Parameters


TECHNICAL PARAMETERS	
Working pressure	0.6~4Mpa
Working temperature	- 40℃ ~ 200℃
Material	stainless steel, PTFE
Connection method	flange type, welded type, groove type
Applicable medium:	weak acid, weak alkali, weak corrosion, oil, hot water, cold water, etc.

The outer body of the PTFE expansion joint is a stainless steel metal bellows that can withstand various concentrations of acid, alkali, salt, and the pressure of the stainless steel bellows and is not afraid of collision advantages. The piping system used for highly corrosive media compensates the displacement and installation deviation of thermal expansion and contraction, and reduces the vibration of the piping system.

MAIN DATA:

Nominal diameter DN	Quantity of ripple	Pressure level(Mpa)					Effective area of corrugated tube (cm ²)	Maximum external diameter size (mm)	Length Flange	Nominal diameter DN	Quantity of ripple	Pressure level(Mpa)					Effective area of corrugated tube (cm ²)	Maximum external diameter size (mm)	Length Flange												
		0.25	0.6	1	1.6	2.5						0.25	0.6	1	1.6	2.5															
		0.25	0.6	1	1.6	2.5						0.25	0.6	1	1.6	2.5															
		Axial compensation Length (mm)/toughness N/mm											Axial compensation Length (mm)/toughness N/mm																		
32	8	25/21	22/26	20/26	18/63	15/98	16	110	160/250	300	6	72/51	65/55	59/59	52/65	47/71	1105	340	366/427	350	6	72/58	65/62	59/67	52/74	47/81	1307	340	397/452		
	16	50/11	46/14	41/14	36/32	31/47		220	224/291			8	108/32	97/35	87/37	79/41		71/45	400		464/525										
40	8	25/28	22/44	20/44	18/89	15/106	23	130	164/259	400	6	72/54	65/58	59/62	52/68	47/75	1611	340	412/478	450	6	108/38	97/41	87/44	79/48	71/47	1972	450	509/564		
	16	50/14	46/22	41/22	36/45	31/55		240	230/304			8	108/36	97/39	87/43	79/47		71/52	420		522/588										
50	8	25/30	22/51	20/70	18/70	15/138	37	150	172/276	450	6	108/32	97/35	87/37	79/41	71/45	1972	340	403/498	500	6	162/20	145/22	131/23	118/25	106/28	2445	450	503/658		
	16	50/16	46/26	41/35	36/35	31/70		260	240/342			8	108/59	97/64	87/68	79/75		71/82	340		431/523										
65	8	33/28	30/35	26/44	22/55	19/68	55	170	315/294	500	6	162/34	145/37	131/39	118/43	106/48	2445	450	531/665	600	6	108/74	97/80	87/85	79/94	71/103	3534	380	478/548		
	12	42/16	38/22	38/32	34/40	29/50		280	260/334			8	162/42	145/45	131/49	118/53		106/60	658/679												
80	8	40/20	36/26	34/33	28/41	24/54	81	200	240/338	600	4	108/67	97/72	87/77	79/85	71/103	4717	1110	490	700	6	162/42	145/45	131/49	118/53	106/60	5822	1265	502		
	10	53/14	49/17	49/21	43/26	38/33		230	270/368			6	183/67	164/72	156/77	144/85		106/60	610												
100	8	45/47	45/60	40/75	35/93	29/117	121	220	235/317	800	4	120/88	102/95	102/102	94/112	71/95	5822	1265	502	900	6	183/67	164/72	156/77	144/85	106/60	7620	1186			
	10	76/26	74/32	64/40	57/50	49/63		260	305/381			6	120/84	108/90	102/97	94/107		82/123													
125	6	48/38	42/47	38/59	34/74	29/92	180	250	282/314	900	4	120/91	108/98	102/105	94/116	82/117	9043	1286		1000	6	183/60	164/65	156/69	144/76	125/93					
	8	85/23	77/29	66/36	58/45	50/56		290	382/386			6	183/59	164/65	156/71	144/81		125/84													
150	6	49/42	44/50	40/62	34/78	29/97	257	250	282/339	900	6	183/60	164/65	156/69	144/76	125/93	9043	1286		1000	6	183/59	164/65	156/71	144/81	125/84					
	8	79/34	71/43	64/51	54/59	46/65		290	356/399			6	183/60	164/65	156/69	144/76		125/93													
200	6	52/49	46/55	42/68	38/78	34/111	479	300	280/348	1000	6	183/60	164/65	156/69	144/76	125/93	9043	1286		1000	6	183/60	164/65	156/69	144/76	125/93					
	8	73/31	65/44	59/52	53/58	48/78		340	340/402			6	183/60	164/65	156/69	144/76		125/93													
250	6	72/30	63/34	59/42	52/45	47/55	769	300	315/379	1000	6	183/60	164/65	156/69	144/76	125/93	9043	1286		1000	6	183/60	164/65	156/69	144/76	125/93					
	8	108/16	97/21	87/35	79/39	71/47		360	393/459			6	183/60	164/65	156/69	144/76		125/93													

- Notes: 1、 Flange is available with DIN Standard,ANSI Standard,JIS Standard,and BS Standard.
2、 Please sent us letter and drawing for customization if you have special requirements.

 河南顺赢新能源有限公司 Henan Shunying New Energy Co.,Ltd.	Proposal/Inquiry/Order No:	NOTES:
	Customer Name:	
	Project Name:	
	Contractor:	